



Cambridge International Examinations
Cambridge International General Certificate of Secondary Education

COMBINED SCIENCE

0653/13

Paper 1 Multiple Choice (Core)

May/June 2018

45 minutes

Additional Materials: Multiple Choice Answer Sheet
Soft clean eraser
Soft pencil (type B or HB is recommended)



READ THESE INSTRUCTIONS FIRST

Write in soft pencil.

Do not use staples, paper clips, glue or correction fluid.

Write your name, Centre number and candidate number on the Answer Sheet in the spaces provided unless this has been done for you.

DO NOT WRITE IN ANY BARCODES.

There are **forty** questions on this paper. Answer **all** questions. For each question there are four possible answers **A, B, C** and **D**.

Choose the **one** you consider correct and record your choice in **soft pencil** on the separate Answer Sheet.

Read the instructions on the Answer Sheet very carefully.

Each correct answer will score one mark. A mark will not be deducted for a wrong answer.

Any rough working should be done in this booklet.

A copy of the Periodic Table is printed on page 16.

Electronic calculators may be used.

This document consists of **15** printed pages and **1** blank page.

1 Which pair of structures is found in a typical plant cell but **not** in a typical animal cell?

- A cell membrane and chloroplasts
- B cell membrane and cytoplasm
- C cell wall and chloroplasts
- D cell wall and cytoplasm

2 A student investigates the effect of temperature on the digestion of starch by an enzyme.

The student mixes an enzyme solution with a starch solution.

He removes samples of the mixture every two minutes and tests with iodine solution.

The experiment is repeated at different temperatures, **A, B, C** and **D**.

Which row shows the results for the temperature in which starch is digested most quickly?

	two minutes	four minutes	six minutes	eight minutes
A	blue-black	blue-black	blue-black	blue-black
B	blue-black	blue-black	brown	brown
C	blue-black	brown	brown	brown
D	brown	brown	brown	brown

3 When biuret solution is added to a food sample it turns purple.

What must the food sample contain?

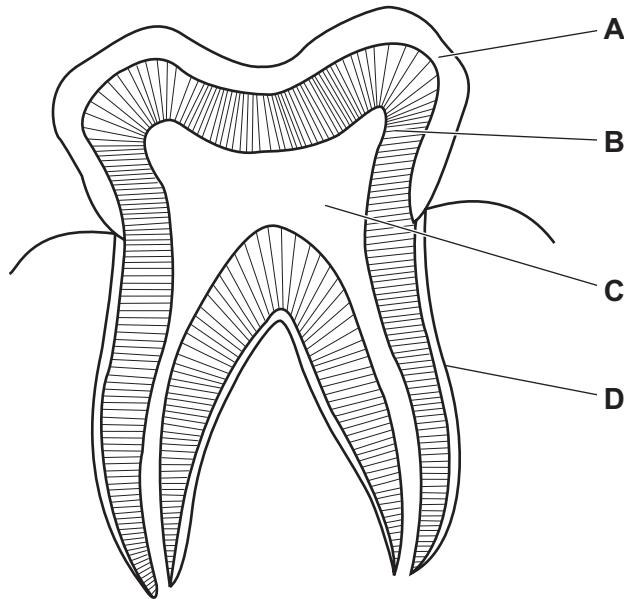
- A fat
- B glycerol
- C protein
- D vitamin

4 Which two chemical substances are required for photosynthesis?

- A carbon dioxide and glucose
- B glucose and oxygen
- C oxygen and water
- D water and carbon dioxide

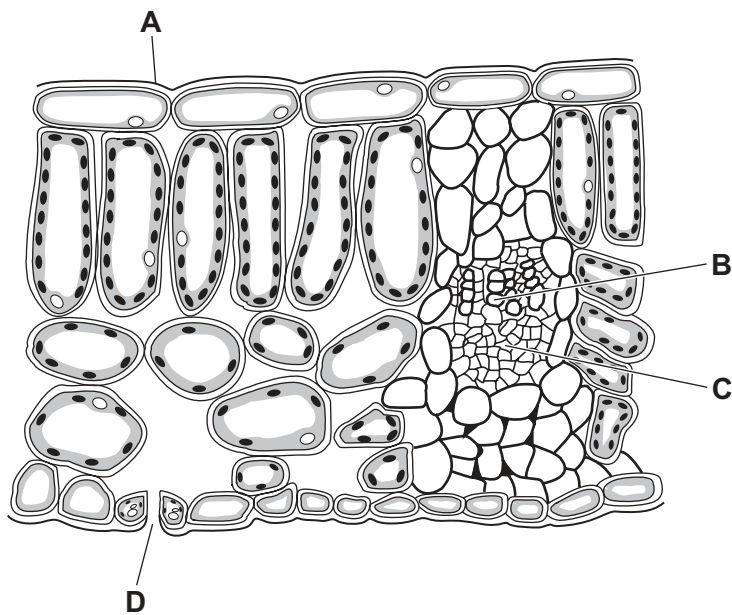
5 The diagram shows a section through a human tooth.

Which part is made of the hardest material?

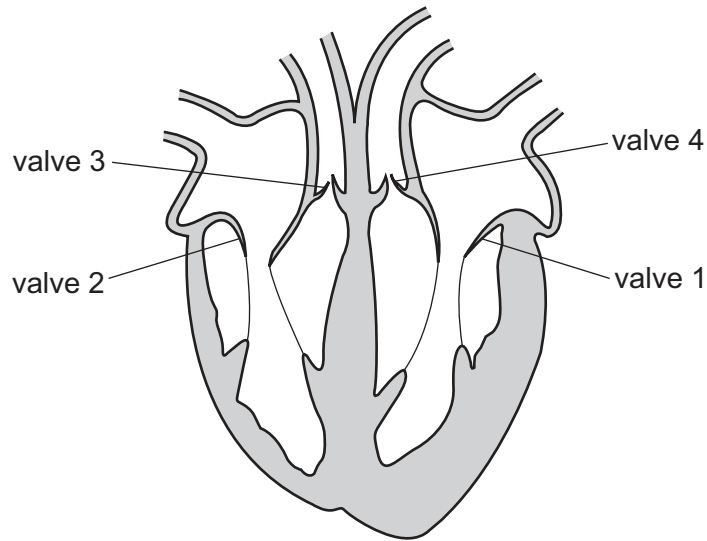


6 The diagram shows a section through a leaf.

Where does water enter the leaf?



7 The diagram shows a section through the human heart.



What happens to the valves as blood is being pumped to the lungs?

	valve 1	valve 2	valve 3	valve 4
A	closed	closed	open	closed
B	closed	closed	open	open
C	open	open	closed	closed
D	open	open	closed	open

8 Which equation represents aerobic respiration?

- A** carbon dioxide + oxygen → glucose + water
- B** carbon dioxide + water → glucose + oxygen
- C** glucose + oxygen → carbon dioxide + water
- D** glucose + water → carbon dioxide + oxygen

9 Adrenaline is sometimes called the 'fight or flight' hormone.

Which is an effect of adrenaline that helps prepare the body to fight or to take flight when frightened?

- A** It increases blood glucose concentration.
- B** It increases the rate of digestion.
- C** It maintains a constant body temperature.
- D** It slows down the heart rate.

10 Which row describes sexual reproduction?

	number of parents	offspring genetically identical to parents	involves zygote production
A	1	✓	✓
B	1	x	x
C	2	✓	x
D	2	x	✓

11 The anthers are part of which flower structure?

- A** carpels
- B** sepals
- C** stamens
- D** stigma

12 The diagram shows a food chain.

maize → mouse → owl

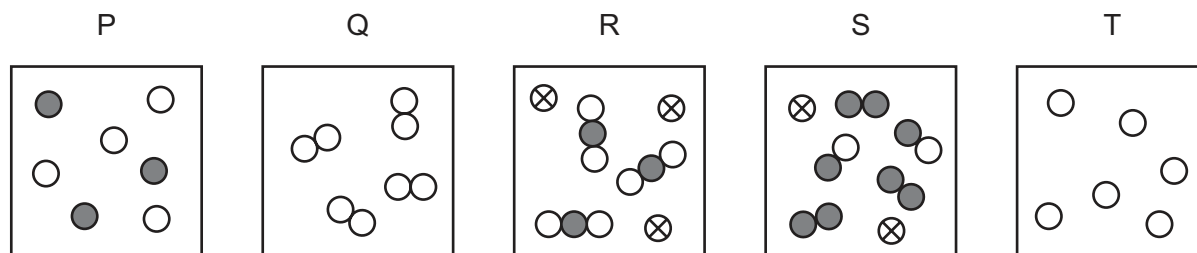
Which terms describe the organisms in this food chain?

	maize	mouse	owl
A	consumer	carnivore	producer
B	consumer	herbivore	carnivore
C	producer	carnivore	herbivore
D	producer	herbivore	carnivore

13 Which two gases contribute towards global warming?

- A** carbon dioxide and methane
- B** carbon dioxide and nitrogen
- C** nitrogen and water vapour
- D** oxygen and methane

14 The diagrams represent different substances.



Which row describes the substances?

	only separate atoms	only molecules	mixture of atoms and molecules
A	P	Q	S
B	Q	T	R
C	T	P	R
D	T	Q	P

15 Which method is used to separate a mixture of two liquids?

- A** chromatography
- B** crystallisation
- C** filtration
- D** fractional distillation

16 Which process involves a physical change?

- A** adding magnesium to nitric acid
- B** burning methane
- C** evaporating petroleum
- D** rusting iron

17 Which statement about the formation of ions is correct?

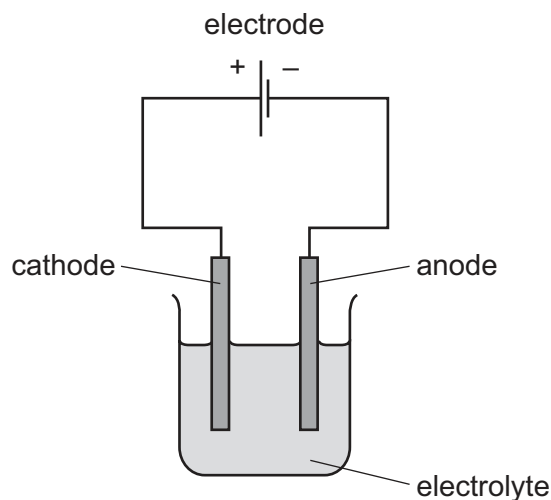
- A** Anions are formed when atoms gain electrons.
- B** Anions are formed when atoms lose electrons.
- C** Cations are formed when atoms gain protons.
- D** Cations are formed when atoms lose protons.

18 Which formula represents a molecule that contains three different elements?

- A CO₂ B H₂O C O₃ D NOCl

19 The diagram shows apparatus for electrolysis.

Only one label is correct.



Which label on the diagram is correct?

- A anode
 B cathode
 C electrode
 D electrolyte
- 20 Which change **must** take place in an endothermic reaction?
- A Bubbles of gas are released.
 B The mass decreases.
 C The temperature decreases.
 D The temperature increases.

21 Magnesium reacts with steam to form magnesium oxide and hydrogen gas.



Which statement about this reaction is correct?

- A Hydrogen gas is reduced.
 B Magnesium is oxidised.
 C Magnesium is reduced.
 D Water is oxidised.

22 Which chemicals are used in the test for nitrate ions?

- A aqueous barium nitrate and dilute nitric acid
- B aqueous silver nitrate and dilute nitric acid
- C dilute acid and limewater
- D aqueous sodium hydroxide and aluminium

23 Part of the Periodic Table is shown.

	I	II																III	IV	V	VI	VII	VIII
	V																					W	X

Which element forms an anion and which element forms a cation?

	forms an anion	forms a cation
A	V	W
B	V	X
C	W	V
D	X	W

24 Which statement about transition metals is **not** correct?

- A They are often used as catalysts.
- B They form colourless compounds.
- C They have high densities.
- D They have high melting points.

25 Constantan is a mixture of copper and another metal.

Which type of substance is constantan?

- A a compound
- B a molecule
- C a salt
- D an alloy

26 A sample of clean air is bubbled through sodium hydroxide to remove carbon dioxide.

It is then passed over heated copper to remove oxygen.

Which gases are left in the air at the end of the experiment?

- A nitrogen, noble gases and water vapour
- B nitrogen and noble gases only
- C nitrogen only
- D noble gases and water vapour only

27 What are the products of the complete combustion of a hydrocarbon?

- A carbon dioxide, carbon monoxide and water
- B carbon dioxide and water only
- C carbon dioxide only
- D carbon monoxide and water only

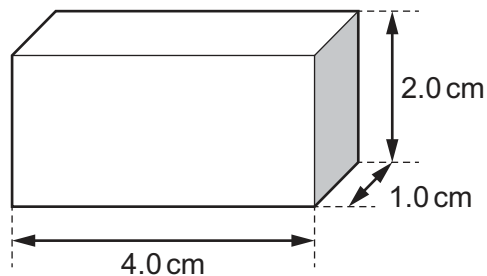
28 A vehicle takes 30 minutes to travel a distance of 60 km.

What is the average speed of the vehicle?

- A 2.0 km/hour
- B 30 km/hour
- C 120 km/hour
- D 1800 km/hour

29 The diagram shows a solid rectangular block with the dimensions shown.

The block is made from a material of density 4.0 g/cm^3 .



What is the mass of the block?

- A 0.50 g
- B 1.0 g
- C 16 g
- D 32 g

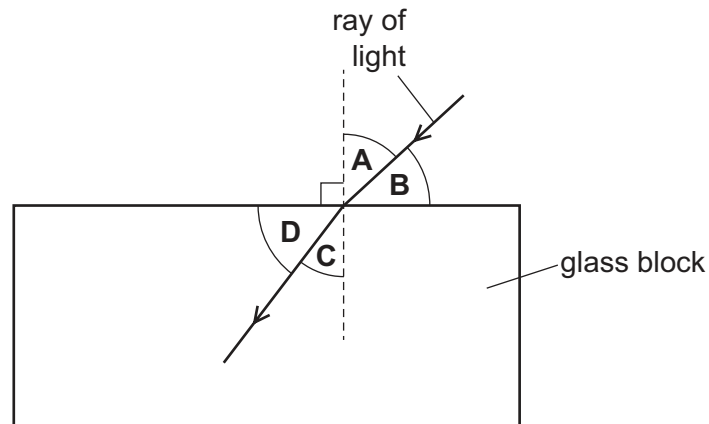
- 30** A ball moves along hard, horizontal ground. The ball reaches a horizontal patch of mud. The mud causes the ball to stop.

What is the main energy change as the ball moves in the mud?

- A** gravitational energy to kinetic energy
 - B** gravitational energy to thermal energy
 - C** kinetic energy to gravitational energy
 - D** kinetic energy to thermal energy
- 31** A train is travelling along a straight, horizontal track at constant speed.
- The work done by the train is recorded as it travels through a measured distance.
- Which quantity can be calculated using only these two pieces of information?
- A** force exerted by the train
 - B** speed of the train
 - C** time taken to travel this distance
 - D** weight of the train
- 32** A liquid at room temperature is in an open dish. The liquid is evaporating.
- Which statement about the evaporation is correct?
- A** It causes the liquid's surroundings to become warmer.
 - B** It happens only at the surface of the liquid.
 - C** It happens only when the room reaches a certain temperature.
 - D** It involves the molecules with the least energy escaping from the liquid.
- 33** On a summer's day, hot air rises above hot roofs.
- What is the name of this process?
- A** concentration
 - B** condensation
 - C** conduction
 - D** convection

34 The diagram shows a ray of light as it enters a glass block.

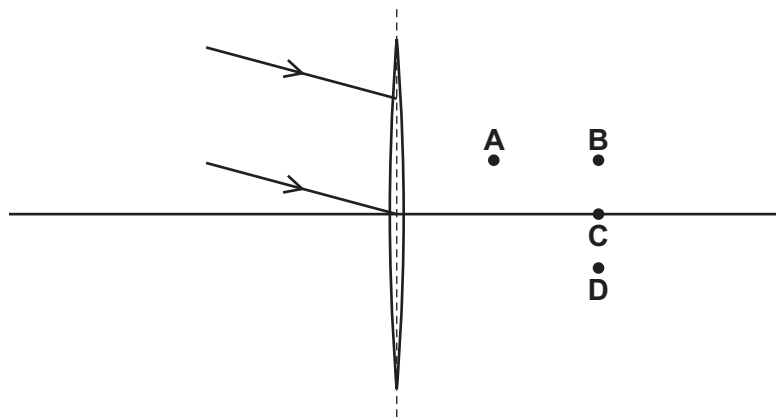
Which labelled angle is the angle of refraction?



35 The diagram represents two parallel rays of light striking a converging lens.

The rays pass through the lens.

Through which labelled point do both rays pass?



36 Infra-red waves, microwaves, ultraviolet waves and visible light are all electromagnetic waves.

Which of these has the smallest wavelength?

- A infra-red
- B microwaves
- C ultraviolet
- D visible light

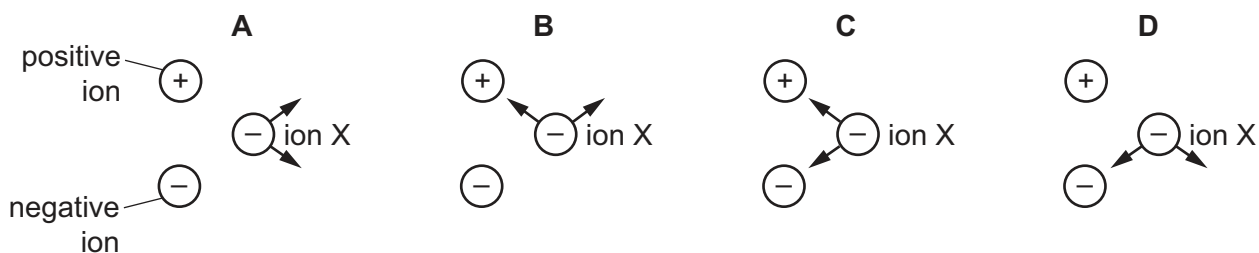
- 37 A singer sings two different notes. The first note is quiet and high-pitched. The second note is louder and lower-pitched.

Which row describes how the amplitude and the frequency of the second note compare with the amplitude and the frequency of the first note?

	amplitude	frequency
A	greater	greater
B	greater	smaller
C	smaller	greater
D	smaller	smaller

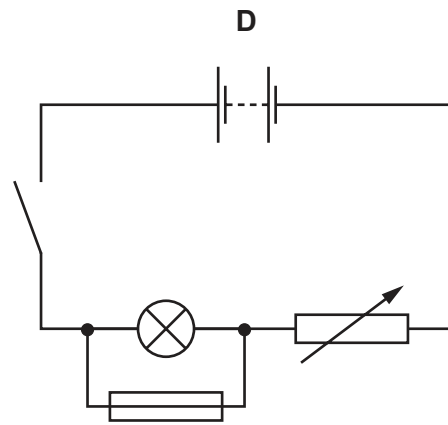
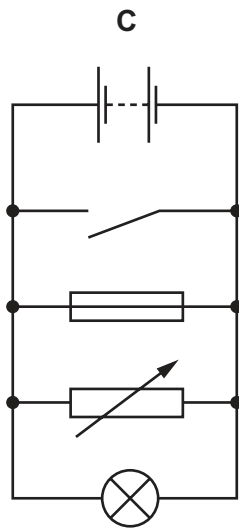
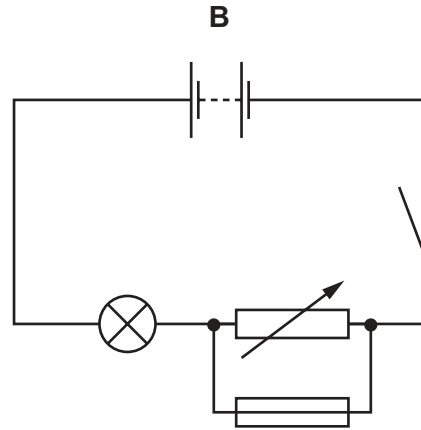
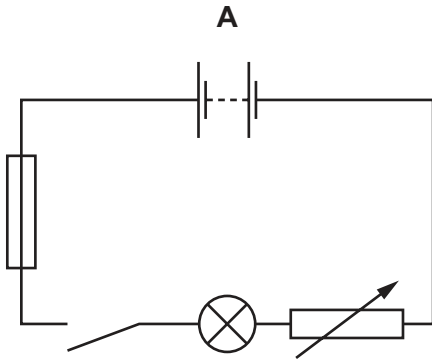
- 38 A negative ion X is close to a positive ion and another negative ion. Electrical forces act on ion X because of the charges in the other two ions.

Which diagram shows the directions of the two forces acting on ion X?

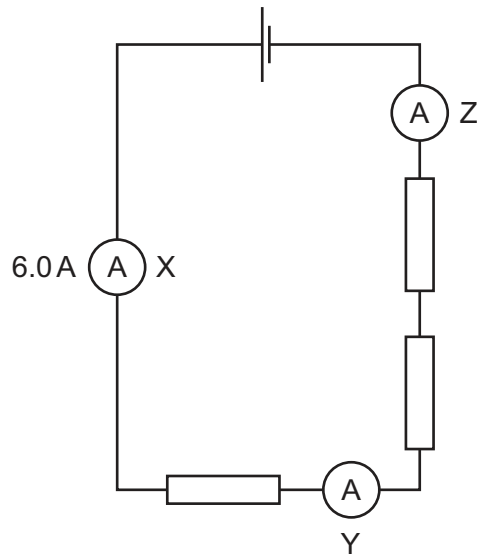


39 A lamp can be dimmed or switched off. Its circuit is protected by a fuse.

Which diagram shows this circuit?



40 The diagram shows a circuit containing three identical resistors and three ammeters X, Y and Z.



The reading on ammeter X is 6.0 A.

What are the readings on ammeters Y and Z?

	reading on ammeter Y/A	reading on ammeter Z/A
A	2.0	4.0
B	3.0	3.0
C	4.0	2.0
D	6.0	6.0

BLANK PAGE

Permission to reproduce items where third-party owned material protected by copyright is included has been sought and cleared where possible. Every reasonable effort has been made by the publisher (UCLES) to trace copyright holders, but if any items requiring clearance have unwittingly been included, the publisher will be pleased to make amends at the earliest possible opportunity.

To avoid the issue of disclosure of answer-related information to candidates, all copyright acknowledgements are reproduced online in the Cambridge International Examinations Copyright Acknowledgements Booklet. This is produced for each series of examinations and is freely available to download at www.cie.org.uk after the live examination series.

Cambridge International Examinations is part of the Cambridge Assessment Group. Cambridge Assessment is the brand name of University of Cambridge Local Examinations Syndicate (UCLES), which is itself a department of the University of Cambridge.

The Periodic Table of Elements

		Group																																																																																																																																																																																																																																																																																																																																																																																																										
I	II	III	IV	V	VI	VII	VIII					VIII																																																																																																																																																																																																																																																																																																																																																																																																
3 Li lithium 7	4 Be beryllium 9	11 Na sodium 23	12 Mg magnesium 24	<table border="1"> <thead> <tr> <th colspan="2">Key</th> </tr> <tr> <th>atomic number</th> <th>atomic symbol name relative atomic mass</th> </tr> </thead> <tbody> <tr> <td>1</td> <td>H hydrogen 1</td> </tr> </tbody> </table>										Key		atomic number	atomic symbol name relative atomic mass	1	H hydrogen 1	2 He helium 4																																																																																																																																																																																																																																																																																																																																																																																								
Key																																																																																																																																																																																																																																																																																																																																																																																																												
atomic number	atomic symbol name relative atomic mass																																																																																																																																																																																																																																																																																																																																																																																																											
1	H hydrogen 1																																																																																																																																																																																																																																																																																																																																																																																																											
19 K potassium 39	20 Ca calcium 40	21 Sc scandium 45	22 Ti titanium 48	23 V vanadium 51	24 Cr chromium 52	25 Mn manganese 55	26 Fe iron 56	27 Co cobalt 59	28 Ni nickel 59	29 Cu copper 64	30 Zn zinc 65	31 Ga gallium 70	32 Ge germanium 73	33 As arsenic 75	34 Se selenium 79	35 Br bromine 80	36 Kr krypton 84																																																																																																																																																																																																																																																																																																																																																																																											
37 Rb rubidium 85	38 Sr strontium 88	39 Y yttrium 89	40 Zr zirconium 91	41 Nb niobium 93	42 Mo molybdenum 96	43 Tc technetium —	44 Ru ruthenium 101	45 Rh rhodium 103	46 Pd palladium 106	47 Ag silver 108	48 Cd cadmium 112	49 In indium 115	50 Sn tin 119	51 Sb antimony 122	52 Te tellurium 128	53 I iodine 127	54 Xe xenon 131																																																																																																																																																																																																																																																																																																																																																																																											
55 Cs caesium 133	56 Ba barium 137	57–71 lanthanoids	72 Hf hafnium 178	73 Ta tantalum 181	74 W tungsten 184	75 Re rhenium 186	76 Os osmium 190	77 Ir iridium 192	78 Pt platinum 195	79 Au gold 197	80 Hg mercury 201	81 Tl thallium 204	82 Pb lead 207	83 Bi bismuth 209	84 Po polonium —	85 At astatine —	86 Rn radon —																																																																																																																																																																																																																																																																																																																																																																																											
87 Fr francium —	88 Ra radium —	89–103 actinoids	104 Rf rutherfordium —	105 Db dubnium —	106 Sg seaborgium —	107 Bh bohrium —	108 Hs hassium —	109 Mt meitnerium —	110 Ds darmstadtium —	111 Rg roentgenium —	112 Cn copernicium —	114 Fl flerovium —	116 Lv livermorium —	118 Og oganeson —	119 Uue unbinilium —	120 Uub unbinilium —	121 Uut ununilium —	122 Uuq ununilium —	123 Uup ununilium —	124 Uuq ununilium —	125 Uup ununilium —	126 Uuq ununilium —	127 Uup ununilium —	128 Uuq ununilium —	129 Uup ununilium —	130 Uuq ununilium —	131 Uup ununilium —	132 Uuq ununilium —	133 Uup ununilium —	134 Uuq ununilium —	135 Uup ununilium —	136 Uuq ununilium —	137 Uup ununilium —	138 Uuq ununilium —	139 Uup ununilium —	140 Uuq ununilium —	141 Uup ununilium —	142 Uuq ununilium —	143 Uup ununilium —	144 Uuq ununilium —	145 Uup ununilium —	146 Uuq ununilium —	147 Uup ununilium —	148 Uuq ununilium —	149 Uup ununilium —	150 Uuq ununilium —	151 Uup ununilium —	152 Uuq ununilium —	153 Uup ununilium —	154 Uuq ununilium —	155 Uup ununilium —	156 Uuq ununilium —	157 Uup ununilium —	158 Uuq ununilium —	159 Uup ununilium —	160 Uuq ununilium —	161 Uup ununilium —	162 Uuq ununilium —	163 Uup ununilium —	164 Uuq ununilium —	165 Uup ununilium —	166 Uuq ununilium —	167 Uup ununilium —	168 Uuq ununilium —	169 Uup ununilium —	170 Uuq ununilium —	171 Uup ununilium —	172 Uuq ununilium —	173 Uup ununilium —	174 Uuq ununilium —	175 Uup ununilium —	176 Uuq ununilium —	177 Uup ununilium —	178 Uuq ununilium —	179 Uup ununilium —	180 Uuq ununilium —	181 Uup ununilium —	182 Uuq ununilium —	183 Uup ununilium —	184 Uuq ununilium —	185 Uup ununilium —	186 Uuq ununilium —	187 Uup ununilium —	188 Uuq ununilium —	189 Uup ununilium —	190 Uuq ununilium —	191 Uup ununilium —	192 Uuq ununilium —	193 Uup ununilium —	194 Uuq ununilium —	195 Uup ununilium —	196 Uuq ununilium —	197 Uup ununilium —	198 Uuq ununilium —	199 Uup ununilium —	200 Uuq ununilium —	201 Uup ununilium —	202 Uuq ununilium —	203 Uup ununilium —	204 Uuq ununilium —	205 Uup ununilium —	206 Uuq ununilium —	207 Uup ununilium —	208 Uuq ununilium —	209 Uup ununilium —	210 Uuq ununilium —	211 Uup ununilium —	212 Uuq ununilium —	213 Uup ununilium —	214 Uuq ununilium —	215 Uup ununilium —	216 Uuq ununilium —	217 Uup ununilium —	218 Uuq ununilium —	219 Uup ununilium —	220 Uuq ununilium —	221 Uup ununilium —	222 Uuq ununilium —	223 Uup ununilium —	224 Uuq ununilium —	225 Uup ununilium —	226 Uuq ununilium —	227 Uup ununilium —	228 Uuq ununilium —	229 Uup ununilium —	230 Uuq ununilium —	231 Uup ununilium —	232 Uuq ununilium —	233 Uup ununilium —	234 Uuq ununilium —	235 Uup ununilium —	236 Uuq ununilium —	237 Uup ununilium —	238 Uuq ununilium —	239 Uup ununilium —	240 Uuq ununilium —	241 Uup ununilium —	242 Uuq ununilium —	243 Uup ununilium —	244 Uuq ununilium —	245 Uup ununilium —	246 Uuq ununilium —	247 Uup ununilium —	248 Uuq ununilium —	249 Uup ununilium —	250 Uuq ununilium —	251 Uup ununilium —	252 Uuq ununilium —	253 Uup ununilium —	254 Uuq ununilium —	255 Uup ununilium —	256 Uuq ununilium —	257 Uup ununilium —	258 Uuq ununilium —	259 Uup ununilium —	260 Uuq ununilium —	261 Uup ununilium —	262 Uuq ununilium —	263 Uup ununilium —	264 Uuq ununilium —	265 Uup ununilium —	266 Uuq ununilium —	267 Uup ununilium —	268 Uuq ununilium —	269 Uup ununilium —	270 Uuq ununilium —	271 Uup ununilium —	272 Uuq ununilium —	273 Uup ununilium —	274 Uuq ununilium —	275 Uup ununilium —	276 Uuq ununilium —	277 Uup ununilium —	278 Uuq ununilium —	279 Uup ununilium —	280 Uuq ununilium —	281 Uup ununilium —	282 Uuq ununilium —	283 Uup ununilium —	284 Uuq ununilium —	285 Uup ununilium —	286 Uuq ununilium —	287 Uup ununilium —	288 Uuq ununilium —	289 Uup ununilium —	290 Uuq ununilium —	291 Uup ununilium —	292 Uuq ununilium —	293 Uup ununilium —	294 Uuq ununilium —	295 Uup ununilium —	296 Uuq ununilium —	297 Uup ununilium —	298 Uuq ununilium —	299 Uup ununilium —	300 Uuq ununilium —	301 Uup ununilium —	302 Uuq ununilium —	303 Uup ununilium —	304 Uuq ununilium —	305 Uup ununilium —	306 Uuq ununilium —	307 Uup ununilium —	308 Uuq ununilium —	309 Uup ununilium —	310 Uuq ununilium —	311 Uup ununilium —	312 Uuq ununilium —	313 Uup ununilium —	314 Uuq ununilium —	315 Uup ununilium —	316 Uuq ununilium —	317 Uup ununilium —	318 Uuq ununilium —	319 Uup ununilium —	320 Uuq ununilium —	321 Uup ununilium —	322 Uuq ununilium —	323 Uup ununilium —	324 Uuq ununilium —	325 Uup ununilium —	326 Uuq ununilium —	327 Uup ununilium —	328 Uuq ununilium —	329 Uup ununilium —	330 Uuq ununilium —	331 Uup ununilium —	332 Uuq ununilium —	333 Uup ununilium —	334 Uuq ununilium —	335 Uup ununilium —	336 Uuq ununilium —	337 Uup ununilium —	338 Uuq ununilium —	339 Uup ununilium —	340 Uuq ununilium —	341 Uup ununilium —	342 Uuq ununilium —	343 Uup ununilium —	344 Uuq ununilium —	345 Uup ununilium —	346 Uuq ununilium —	347 Uup ununilium —	348 Uuq ununilium —	349 Uup ununilium —	350 Uuq ununilium —	351 Uup ununilium —	352 Uuq ununilium —	353 Uup ununilium —	354 Uuq ununilium —	355 Uup ununilium —	356 Uuq ununilium —	357 Uup ununilium —	358 Uuq ununilium —	359 Uup ununilium —	360 Uuq ununilium —	361 Uup ununilium —	362 Uuq ununilium —	363 Uup ununilium —	364 Uuq ununilium —	365 Uup ununilium —	366 Uuq ununilium —	367 Uup ununilium —	368 Uuq ununilium —	369 Uup ununilium —	370 Uuq ununilium —	371 Uup ununilium —	372 Uuq ununilium —	373 Uup ununilium —	374 Uuq ununilium —	375 Uup ununilium —	376 Uuq ununilium —	377 Uup ununilium —	378 Uuq ununilium —	379 Uup ununilium —	380 Uuq ununilium —	381 Uup ununilium —	382 Uuq ununilium —	383 Uup ununilium —	384 Uuq ununilium —	385 Uup ununilium —	386 Uuq ununilium —	387 Uup ununilium —	388 Uuq ununilium —	389 Uup ununilium —	390 Uuq ununilium —	391 Uup ununilium —	392 Uuq ununilium —	393 Uup ununilium —	394 Uuq ununilium —	395 Uup ununilium —	396 Uuq ununilium —	397 Uup ununilium —	398 Uuq ununilium —	399 Uup ununilium —	400 Uuq ununilium —	401 Uup ununilium —	402 Uuq ununilium —	403 Uup ununilium —	404 Uuq ununilium —	405 Uup ununilium —	406 Uuq ununilium —	407 Uup ununilium —	408 Uuq ununilium —	409 Uup ununilium —	410 Uuq ununilium —	411 Uup ununilium —	412 Uuq ununilium —	413 Uup ununilium —	414 Uuq ununilium —	415 Uup ununilium —	416 Uuq ununilium —	417 Uup ununilium —	418 Uuq ununilium —	419 Uup ununilium —	420 Uuq ununilium —	421 Uup ununilium —	422 Uuq ununilium —	423 Uup ununilium —	424 Uuq ununilium —	425 Uup ununilium —	426 Uuq ununilium —	427 Uup ununilium —	428 Uuq ununilium —	429 Uup ununilium —	430 Uuq ununilium —	431 Uup ununilium —	432 Uuq ununilium —	433 Uup ununilium —	434 Uuq ununilium —	435 Uup ununilium —	436 Uuq ununilium —	437 Uup ununilium —	438 Uuq ununilium —	439 Uup ununilium —	440 Uuq ununilium —	441 Uup ununilium —	442 Uuq ununilium —	443 Uup ununilium —	444 Uuq ununilium —	445 Uup ununilium —	446 Uuq ununilium —	447 Uup ununilium —	448 Uuq ununilium —	449 Uup ununilium —	450 Uuq ununilium —	451 Uup ununilium —	452 Uuq ununilium —	453 Uup ununilium —	454 Uuq ununilium —	455 Uup ununilium —	456 Uuq ununilium —	457 Uup ununilium —	458 Uuq ununilium —	459 Uup ununilium —	460 Uuq ununilium —	461 Uup ununilium —	462 Uuq ununilium —	463 Uup ununilium —	464 Uuq ununilium —	465 Uup ununilium —	466 Uuq ununilium —	467 Uup ununilium —	468 Uuq ununilium —	469 Uup ununilium —	470 Uuq ununilium —	471 Uup ununilium —	472 Uuq ununilium —	473 Uup ununilium —	474 Uuq ununilium —	475 Uup ununilium —	476 Uuq ununilium —	477 Uup ununilium —	478 Uuq ununilium —	479 Uup ununilium —	480 Uuq ununilium —	481 Uup ununilium —	482 Uuq ununilium —	483 Uup ununilium —	484 Uuq ununilium —	485 Uup ununilium —	486 Uuq ununilium —	487 Uup ununilium —	488 Uuq ununilium —	489 Uup ununilium —	490 Uuq ununilium —	491 Uup ununilium —	492 Uuq ununilium —	493 Uup ununilium —	494 Uuq ununilium —	495 Uup ununilium —	496 Uuq ununilium —	497 Uup ununilium —	498 Uuq ununilium —	499 Uup ununilium —	500 Uuq ununilium —

lanthanoids	57 La lanthanum 139	58 Ce cerium 140	59 Pr praseodymium 141	60 Nd neodymium 144	61 Pm promethium —	62 Sm samarium 150	63 Eu europium 152	64 Gd gadolinium 157	65 Tb terbium 159	66 Dy dysprosium 163	67 Ho holmium 165	68 Er erbium 167	69 Tm thulium 169	70 Yb ytterbium 173	71 Lu lutetium 175
actinoids	89 Ac actinium —	90 Th thorium 232	91 Pa protactinium 231	92 U uranium 238	93 Np neptunium —	94 Pu plutonium —	95 Am americium —	96 Cm curium —	97 Bk berkelium —	98 Cf californium —	99 Es einsteinium —	100 Fm fermium —	101 Md mendelevium —	102 No nobelium —	103 Lr lawrencium —

The volume of one mole of any gas is 24 dm³ at room temperature and pressure (r.t.p.).